

EXPLODED VIEW & PARTS LISTING

Air Operated Double Diaphragm Pump

Model: NDP-50BPT
Model #: 852237
(w/metal center body)



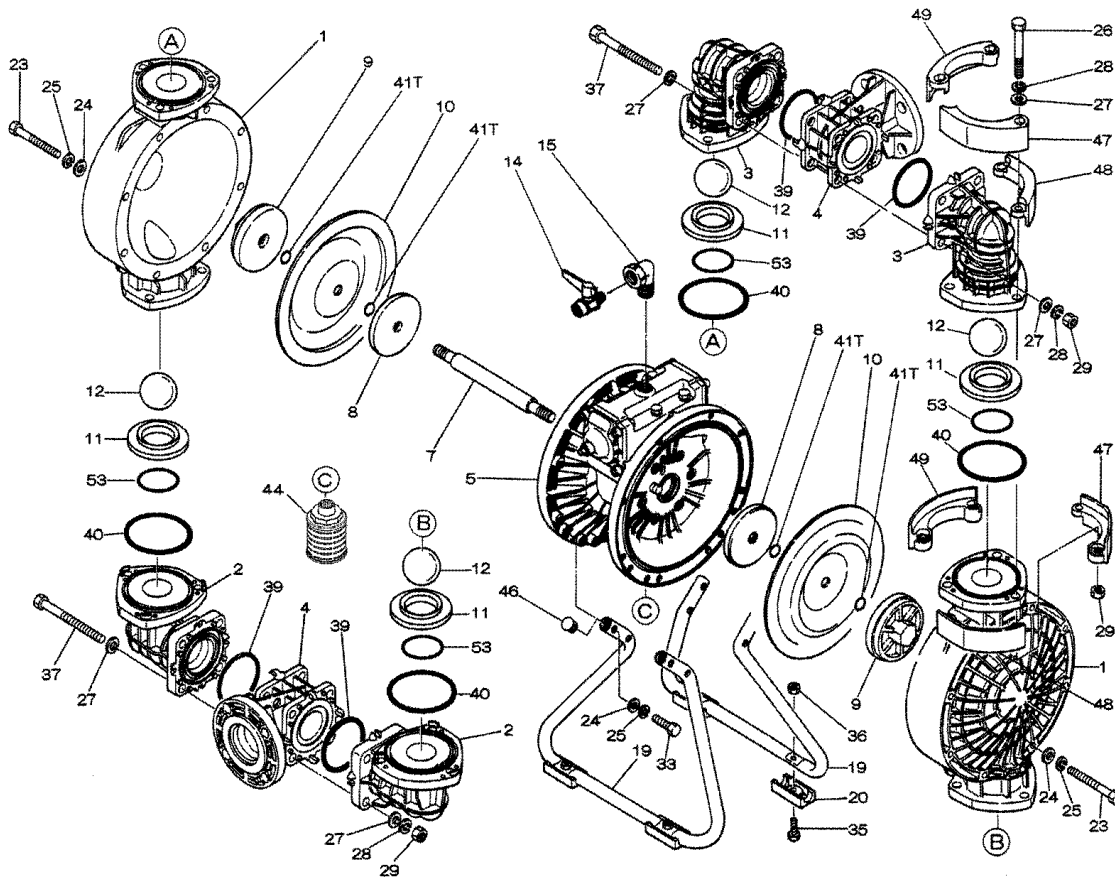
To Purchase:

- 800-990-7867
- sales@yamadapump.com
- Find My Rep

More Information:

- YouTube: @yamadapump
- yamadapump.com
- Data Sheets | CAD Drawings | Manuals Literature | BOM | Performance Curves

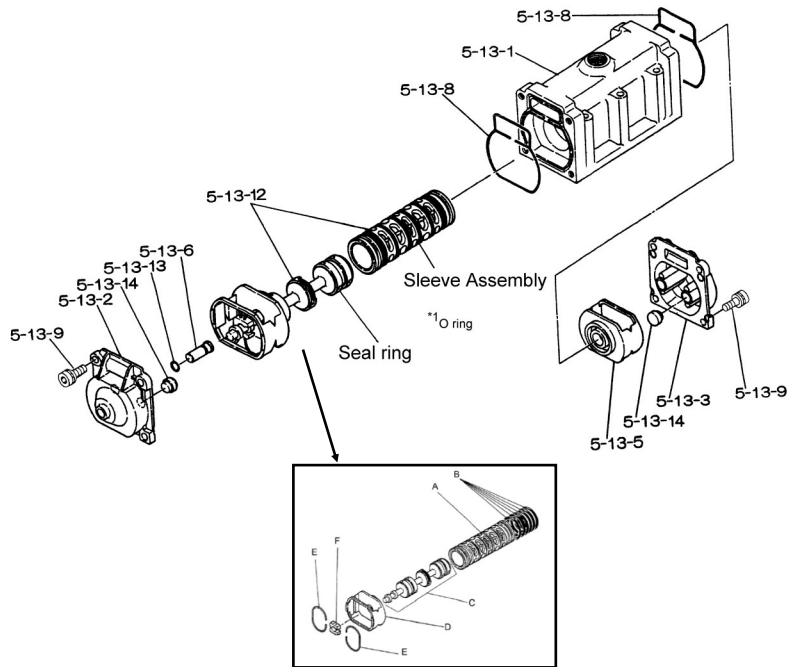
Trial Program



■ Body Assembly



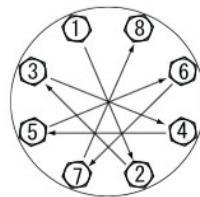
■ Valve Body Assembly



Air Operated Double Diaphragm Pump (w/metal center body)

REF.NO.	PART NO.	DESCRIPTION	QTY	REORDER
1	780148	OUT CHAMBER	2	
2	780245	IN MANIFOLD	2	
3	780151	OUT MANIFOLD	2	
4	780249	CENTER MANIFOLD	2	
5	803112	CENTER BODY ASSY	1	
5- 1	711934	AIR CHAMBER	2	
5- 2	711936	BODY	1	
5- 3	772689	THROAT BEARING	2	
5- 4	711937	PILOT VALVE SPRING	2	
5- 5	771740	PILOT VALVE SEAT	2	
5- 6	832162	PILOT VALVE ASSY	2	
5- 8	640020	O-RING	2	
5- 9	685444	V-PACKING	2	
5-10	640029	O-RING	2	
5-11	771742	GASKET	2	
5-12	683812	BOLT	12	
5-13	802971	VALVE BODY ASSY	1	
5-13- 1	711931	VALVE BODY	1	
5-13- 2	580999	CAP A	1	
5-13- 3	581000	CAP B	1	
5-13- 5	771735	SPRING RETAINER	1	
5-13- 6	712976	RESET BUTTON	1	
5-13- 8	771738	GASKET	2	
5-13- 9	685036	SOCKET BOLT	8	
5-13-12	805084	C SPOOL ASSY	1	
A	803675	SLEEVE ASSY.	1	
B	640036	O-RING	6	
C	805085	SPOOL ASSY.	1	
D	771735	SPRING RETAINER	1	
E	711932	C-SPRING	2	
F	771734	BLOCK	1	
5-13-13	640005	O-RING	1	
5-13-14	684128	CUSHION 40/50/80 CAP	4	
5-14	771712	GASKET FOR VALVE BODY	1	
5-15	684240	BOLT W/WASHER	6	
5-18	684987	WASHER	12	
7T	711939	CENTER ROD 40/50T	1	
8T	707822	CENTER DISK 50T INNER	2	
9T	780063	CENTER DISK	2	
10	770815	DIAPHRAGM	2	
11	772097	VALVE SEAT	4	
12	770693	BALL 50T	4	
14	686974	BALL VALVE 3/4"	1	
15	682523	ELBOW STRT 3/4" 90D	1	
19	711926	STAND 50PP	2	
20	771865	FOOT RUBBER	4	
23	686156	BOLT	16	

REF.NO.	PART NO.	DESCRIPTION	QTY	REORDER
24	631330	FLAT WASHER	24	
25	680257	SPRING WASHER	24	
26	621213	BOLT	12	
27	631331	FLAT WASHER	28	
28	680607	SPRING WASHER	20	
29	628014	NUT	20	
33	621179	BOLT	8	
35	621149	BOLT	4	
36	683837	NUT W/FLANGE	4	
37	684592	BOLT	8	
39	643064	O-RING	4	
40	643069	O-RING	4	
41T	643015	O-RING	4	
44	804764	SILENCER	1	
46	683641	CAP STAND	4	
47	771786	PROTECTOR A	8	
48	771787	PROTECTOR B	8	
49	771788	PROTECTOR C	8	
53	643139	O-RING	4	
KIT	K50-PT	LIQUID END KIT		
KIT	K45-AM	AIR MOTOR KIT		



Tightening torque for center rod and out chambers.

Center Rod 36 ft-lbf {50 N-m}
Out Chambers 26 ft-lbf {35 N-m}

Tightening torque for manifold retainer bolts.
50BPT 18 ft-lbf {25 N-m}

General Tools:

- Socket wrenches - 13mm, 17mm, 19mm, 24mm
- Hexagonal box wrench - 5mm, 6mm
- Plastic hammer

Special Tools (sold separately):

- Sleeve remover (713180).
- PP wrench to remove the center disk (771868).

Miscellaneous:

- Assembly Oil - turbine oil class 1 (equivalent to ISO VG32 grade)
- Nuts - M16 x 1.5
- Thread locker
- Urea grease grade (NLGI) No. 2

Customer Notes

Model #: _____
 Description: _____
 Serial #: _____
 Date Installed: _____
 Department Location: _____
 Tag/Project: _____