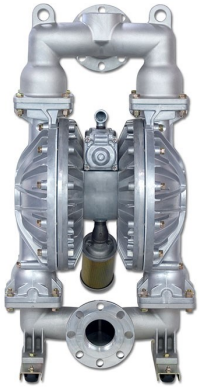


Air Operated Double Diaphragm Pump



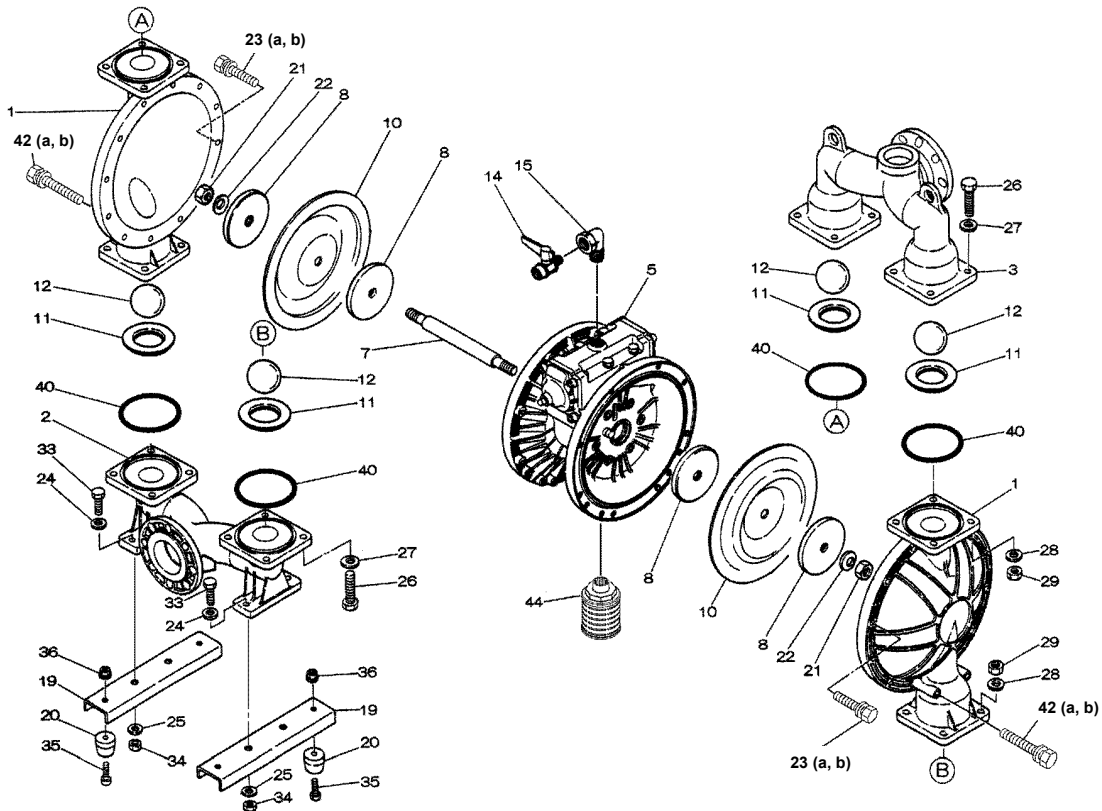
To Purchase:

- ☎ 800-990-7867
- ✉ sales@yamadapump.com
- 📍 Find My Rep

More Information:

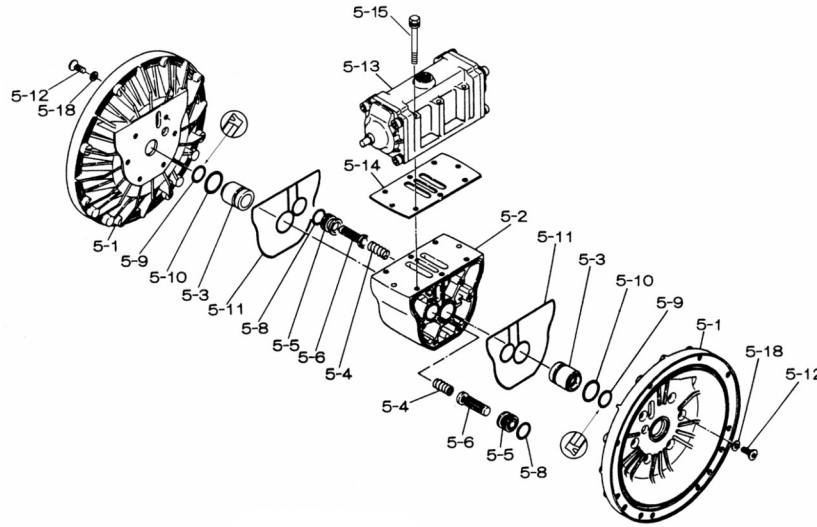
- ▶ YouTube: @yamadapump
- 🌐 yamadapump.com
- Data Sheets | CAD Drawings | Manuals Literature | BOM | Performance Curves*

Trial Program

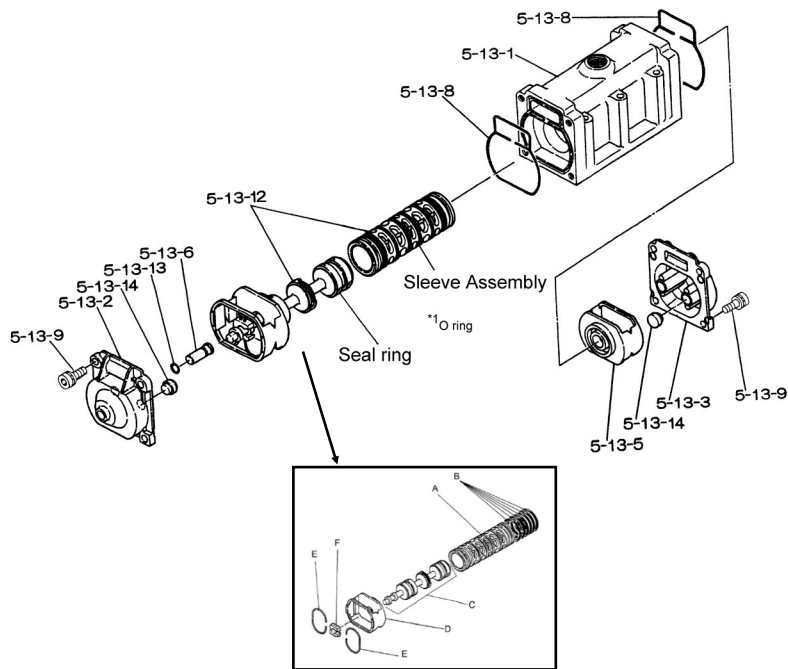


Air Operated Double Diaphragm Pump

■Body Assembly



■Valve Body Assembly

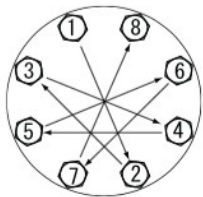


Air Operated Double Diaphragm Pump

| | NDP-80BAC | NDP-80BAN | NDP-80BAE | NDP-80BAH | NDP-80BAS | NDP-80BAV | | | |
|----------------|---------------|---------------|---------------|---------------|---------------|---------------|--------------------------|----------|---------|
| | 852429 | 852238 | 852430 | 852239 | 852725 | 852306 | | | |
| REF. No. | PARTS No. | PARTS No. | PARTS No. | PARTS No. | PARTS No. | PARTS No. | DESCRIPTION | QTY. | REORDER |
| 1 | 580962 | 580962 | 580962 | 580962 | 580962 | 580962 | OUT CHAMBER | 2 | |
| 2 | 714371 | 714371 | 714371 | 714371 | 714371 | 714371 | IN MANIFOLD | 1 | |
| 3 | 714365 | 714365 | 714365 | 714365 | 714365 | 714365 | OUT MANIFOLD | 1 | |
| 5 | 803113 | 803113 | 803113 | 803113 | 803113 | 803113 | CENTER BODY ASSY. | 1 | |
| 5- 1 | 711935 | 711935 | 711935 | 711935 | 711935 | 711935 | AIR CHAMBER | 2 | |
| 5- 2 | 711936 | 711936 | 711936 | 711936 | 711936 | 711936 | BODY | 1 | |
| 5- 3 | 780325 | 780325 | 780325 | 780325 | 780325 | 780325 | THROAT BEARING | 2 | |
| 5- 4 | 711937 | 711937 | 711937 | 711937 | 711937 | 711937 | PILOT VALVE SPRING | 2 | |
| 5- 5 | 771740 | 771740 | 771740 | 771740 | 771740 | 771740 | PILOT VALVE SEAT | 2 | |
| 5- 6 | 832163 | 832163 | 832163 | 832163 | 832163 | 832163 | PILOT VALVE ASSY. | 2 | |
| 5- 8 | 640020 | 640020 | 640020 | 640020 | 640020 | 640020 | O-RING | 2 | |
| 5- 9 | 685444 | 685444 | 685444 | 685444 | 685444 | 685444 | V-PACKING | 2 | |
| 5-10 | 640029 | 640029 | 640029 | 640029 | 640029 | 640029 | O-RING | 2 | |
| 5-11 | 771742 | 771742 | 771742 | 771742 | 771742 | 771742 | GASKET | 2 | |
| 5-12 | 683812 | 683812 | 683812 | 683812 | 683812 | 683812 | FLAT SOCKET | 12 | |
| 5-13 | 802971 | 802971 | 802971 | 802971 | 802971 | 802971 | VALVE BODY ASSY. | 1 | |
| 5-13-1 | 711931 | 711931 | 711931 | 711931 | 711931 | 711931 | VALVE BODY | 1 | |
| 5-13-2 | 580999 | 580999 | 580999 | 580999 | 580999 | 580999 | CAP A | 1 | |
| 5-13-3 | 581000 | 581000 | 581000 | 581000 | 581000 | 581000 | CAP B | 1 | |
| 5-13-5 | 771735 | 771735 | 771735 | 771735 | 771735 | 771735 | SPRING RETAINER | 1 | |
| 5-13-6 | 712976 | 712976 | 712976 | 712976 | 712976 | 712976 | RESET BUTTON | 1 | |
| 5-13-8 | 771738 | 771738 | 771738 | 771738 | 771738 | 771738 | GASKET | 2 | |
| 5-13-9 | 685036 | 685036 | 685036 | 685036 | 685036 | 685036 | SOCKET BOLT | 8 | |
| 5-13-12 | 805084 | 805084 | 805084 | 805084 | 805084 | 805084 | C-SPOOL ASSY | 1 | |
| A | 803675 | 803675 | 803675 | 803675 | 803675 | 803675 | SLEEVE ASSY | 1 | |
| B | 640036 | 640036 | 640036 | 640036 | 640036 | 640036 | O-RING | 6 | |
| C | 805085 | 805085 | 805085 | 805085 | 805085 | 805085 | SPOOL ASSY | 1 | |
| D | 771735 | 771735 | 771735 | 771735 | 771735 | 771735 | SPRING RETAINER | 1 | |
| E | 711932 | 711932 | 711932 | 711932 | 711932 | 711932 | C-SPRING | 2 | |
| F | 771734 | 771734 | 771734 | 771734 | 771734 | 771734 | BLOCK | 1 | |
| 5-13-13 | 640005 | 640005 | 640005 | 640005 | 640005 | 640005 | O-RING | 1 | |
| 5-13-14 | 684128 | 684128 | 684128 | 684128 | 684128 | 684128 | CUSHION | 4 | |
| 5-14 | 771712 | 771712 | 771712 | 771712 | 771712 | 771712 | GASKET | 1 | |
| 5-15 | 684240 | 684240 | 684240 | 684240 | 684240 | 684240 | BOLT W/WASHERS | 6 | |
| 5-18 | 684987 | 684987 | 684987 | 684987 | 684987 | 684987 | WASHER | 12 | |
| 7 | 711901 | 711901 | 711901 | 711901 | 711901 | 711901 | CENTER ROD | 1 | |
| 8 | 711906 | 711906 | 711906 | 711906 | 711906 | 711906 | CENTER DISC | 4 | |
| 10 | 771857 | 771704 | 771858 | 771705 | 771977 | 771801 | DIAPHRAGM | 2 | |
| 11 | 771958 | 771996 | 771999 | 771795 | 772005 | 771998 | VALVE SEAT | 4 | |
| 12 | 770559 | 770587 | 770596 | 773144 | 773174 | 770605 | BALL | 4 | |
| 14 | 686974 | 686974 | 686974 | 686974 | 686974 | 686974 | BALL VALVE | 1 | |
| 15 | 682523 | 682523 | 682523 | 682523 | 682523 | 682523 | ELBOW | 1 | |
| 19 | 711912 | 711912 | 711912 | 711912 | 711912 | 711912 | BASE | 2 | |
| 20 | 771402 | 771402 | 771402 | 771402 | 771402 | 771402 | FOOT RUBBER | 4 | |
| 21 | 683408 | 683408 | 683408 | 683408 | 683408 | 683408 | NUT | 2 | |
| 22 | 682740 | 682740 | 682740 | 682740 | 682740 | 682740 | WASHER CONE | 2 | |
| 23a | 686163 | 686163 | 686163 | 686163 | 686163 | 686163 | BOLT | 20 | |
| 23b | 631917 | 631917 | 631917 | 631917 | 631917 | 631917 | WAVE WASHER | 20 | |

Air Operated Double Diaphragm Pump

| | NDP-80BAC | NDP-80BAN | NDP-80BAE | NDP-80BAH | NDP-80BAS | NDP-80BAV | | | |
|----------|-----------|-----------|-----------|-----------|-----------|-----------|-----------------|------|---------|
| | 852429 | 852238 | 852430 | 852239 | 852725 | 852306 | | | |
| REF. No. | PARTS No. | PARTS No. | PARTS No. | PARTS No. | PARTS No. | PARTS No. | DESCRIPTION | QTY. | REORDER |
| 24 | 631014 | 631014 | 631014 | 631014 | 631014 | 631014 | FLAT WASHER | 4 | |
| 25 | 631917 | 631917 | 631917 | 631917 | 631917 | 631917 | WAVE WASHER | 4 | |
| 26 | 611204 | 611204 | 611204 | 611204 | 611204 | 611204 | BOLT | 16 | |
| 27 | 631015 | 631015 | 631015 | 631015 | 631015 | 631015 | FLAT WASHER | 16 | |
| 28 | 631918 | 631918 | 631918 | 631918 | 631918 | 631918 | WAVE WASHER | 16 | |
| 29 | 627014 | 627014 | 627014 | 627014 | 627014 | 627014 | NUT | 16 | |
| 33 | 611177 | 611177 | 611177 | 611177 | 611177 | 611177 | BOLT | 4 | |
| 34 | 627013 | 627013 | 627013 | 627013 | 627013 | 627013 | NUT | 4 | |
| 35 | 611149 | 611149 | 611149 | 611149 | 611149 | 611149 | BOLT | 4 | |
| 36 | 682276 | 682276 | 682276 | 682276 | 682276 | 682276 | NUT W/FLANGE | 4 | |
| 40 | 640078 | 640078 | 684124 | 640078 | 684124 | 642078 | O-RING | 4 | |
| 42a | 686164 | 686164 | 686164 | 686164 | 686164 | 686164 | BOLT | 4 | |
| 42b | 631917 | 631917 | 631917 | 631917 | 631917 | 631917 | WAVE WASHER | 4 | |
| 44 | 804764 | 804764 | 804764 | 804764 | 804764 | 804764 | SILENCER | 1 | |
| KIT | K80-MC | K80-MN | K80-ME | K80-MH | K80-MS | K80-MV | LIQUID SIDE KIT | | |
| KIT | K80-AM | | | | | | AIR MOTOR KIT | | |



Tightening torque for center rod and out chambers.

Center Rod 43 ft-lbf {60 N-m}
Out Chambers 29 ft-lbf {40 N-m}

Tightening torque for manifold retainer bolts.

BAC/E/H/N/S/V 18 ft-lbf {25 N-m}

General Tools:

- Socket wrenches - 24mm
- Hexagonal box wrench - 5mm, 6mm
- Small crowbars - 2 (C/N/E/V)
- Open-end wrenches - 19mm, 24mm
- Plastic hammer

Special Tools:

- Sleeve remover (713180) (sold separately)

Miscellaneous:

- Assembly Oil - turbine oil class 1 (equivalent to ISO VG32 grade)
- Nuts - M16 x 1.5
- Thread locker
- Urea grease grade (NLGI) No. 2

| Customer Notes | |
|----------------------|-------|
| Model #: | _____ |
| Description: | _____ |
| Serial #: | _____ |
| Date Installed: | _____ |
| Department Location: | _____ |
| Tag/Project: | _____ |